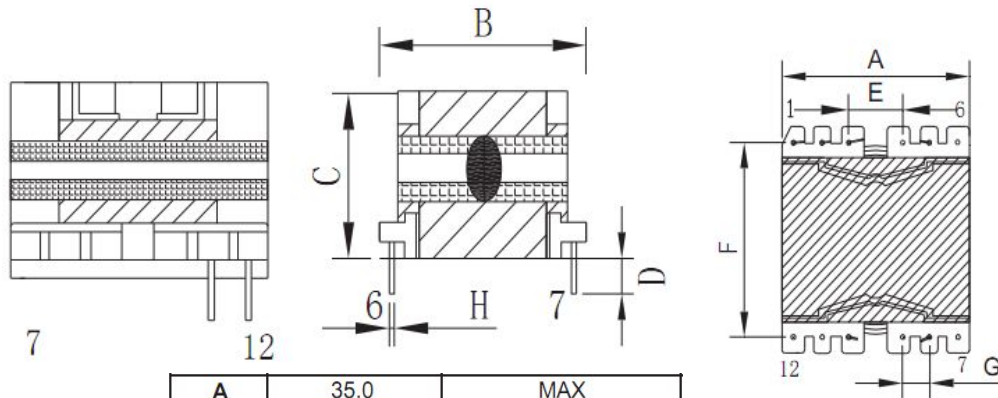


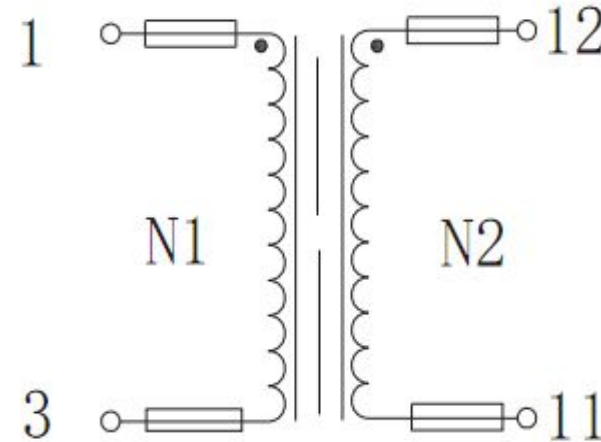
CUSTOMER TERMINAL	ROHS	Lead(Pb)-free
	YES	YES

1.Mechanical Dimensions



A	35.0	MAX
B	35.0	MAX
C	26.5	MAX
D	3.5	±0.5
E	7.4	±0.3
F	30.0	±0.4
G	5.0	±0.3
H	0.80	±0.1

2.Schematic Diagram



3.Material List

Core:FW44 PQ3225

Bobbin:FWB3202-1(6+6PIN)

Wire: 2UEW LITZ

Copper foil:0.025t*8.0mm

Operating Temperature: -30 to115 °C

4.Electrical Specification

Inductance : $L(1-3):250\mu H \pm 5\% 25KHZ, 0.09V$

DCR : $(1-3)=0.15\Omega \text{ MAX}$

Hi-Pot:N1-N2: AC 60Hz 1000V 1mA 3S

COIL-CORE: AC 60Hz 1000V 1mA 3S

REV.	DATE	<p>Convention Placement</p>	DRW.		Drawing Title:	Part No:
0	00/00		CHK.			
				APP.		Customer P/N

ROHS

www.ferriwo.com